

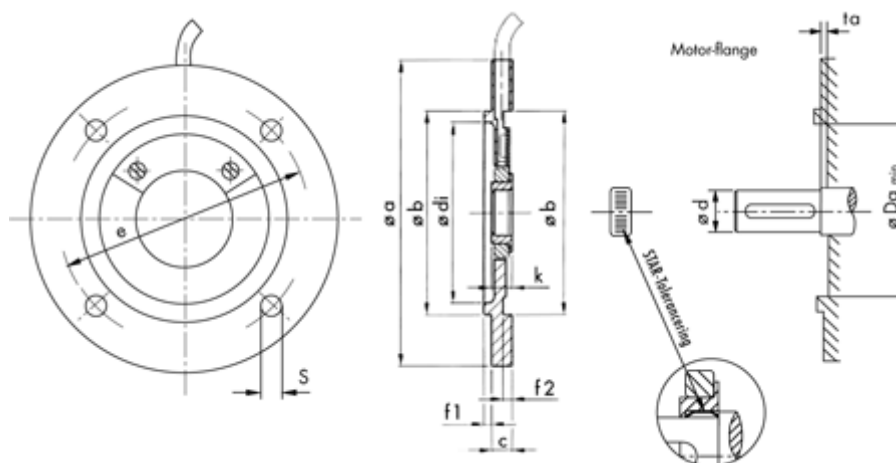
# Data Sheet



Article number: 7806162801440200

Description: BEGE flangeencoder for 100B14  
MN160-28-144-2 (20m) 5-24V

## Measures



$a = 160$	$f2 = 4.0$
$b = 11$	$k = 9$
$c = 9$	$s = 9$
$d = 28$	$ta = 3$
$Da = 105$	
$di = 100$	
$e = 130$	
$f1 = 3.5$	